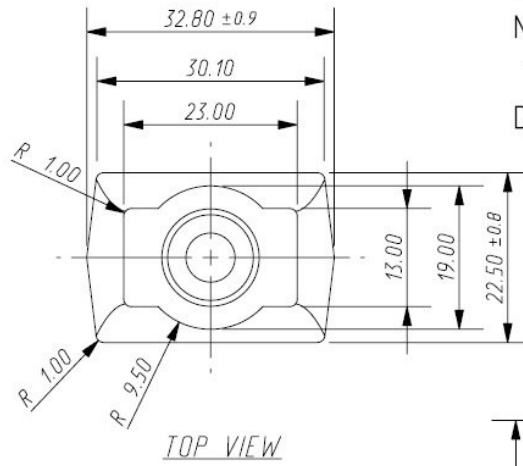


START OF THDS. -----  $0.87 \begin{smallmatrix} +0.33 \\ -0.30 \end{smallmatrix}$

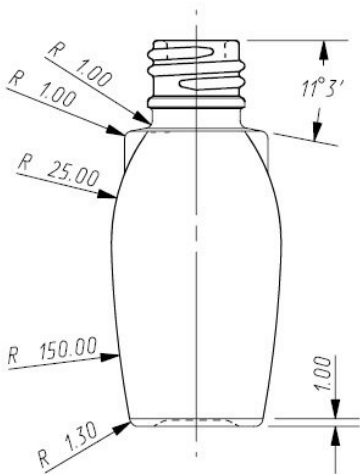
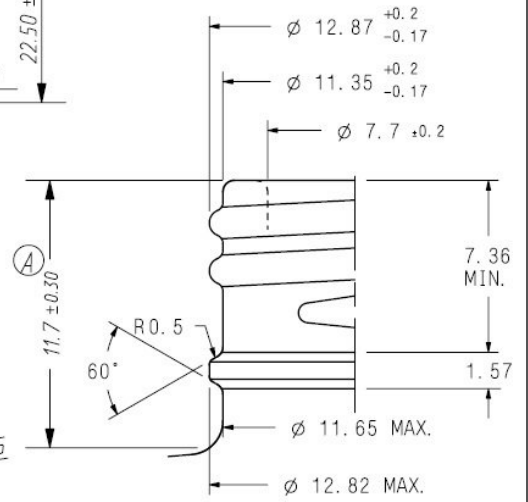
NO OF TURNS.----- 2

T. P. I. ----- 12

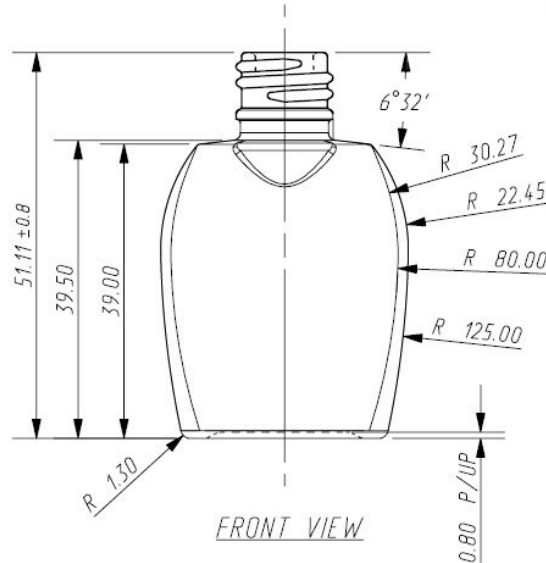
DEPRESS THREAD @ SEAMS



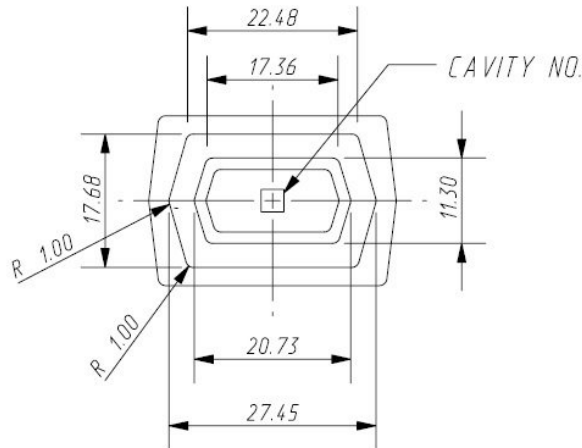
TOP VIEW



SIDE VIEW



FRONT VIEW



BOTTOM VIEW

FOR APPROVAL :
CUSTOMER :
SIGN :
NAME :
DATE :

				<b>WARE</b>		<b>12ml RUBY</b>			
				ALL DIMS ARE IN MM DO NOT SCALE DRAWING		SCALE:	TYPE & COLOUR	THROUGH BORE (min)	PROD. CATG.:
						1:1	III, FLINT	$\phi 6.5$	3FNP
				DES'D BY	DATE	OVERFLOW CAP. (ml)	FILLING CAP. (ml)	WEIGHT (g) (APPROX.)	NECK FINISH
						12.5 ± 1.0	----	28.5 APPROX.	GCGI 13/415/405
				CHK'D BY	APP'D BY	<b>DRG.NO.:</b>			REV. <b>(B)</b>
REV.NO	REVISION DESCRIPTION	DATE	REV. BY						

(B)	TITLE BLOCK CHANGED & STD.MAINTAINED	22/05/12	PP
(A)	"H" HEIGHT REVISED, WAS 11.525 ± 0.225	15-02-08	HIMANSHU