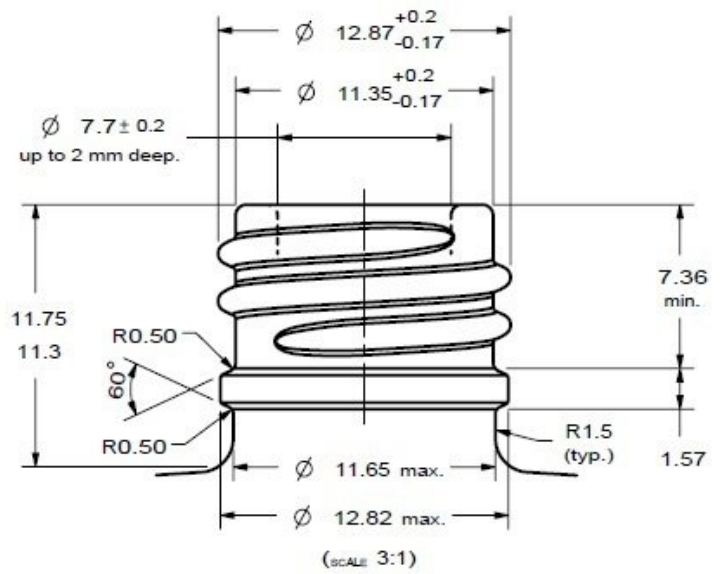
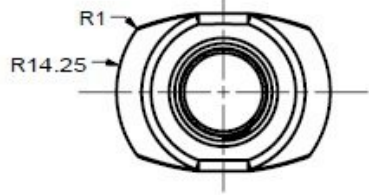
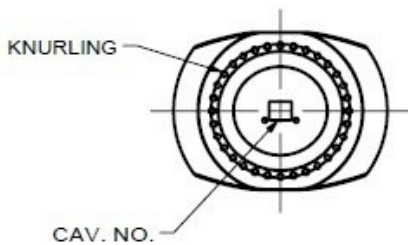
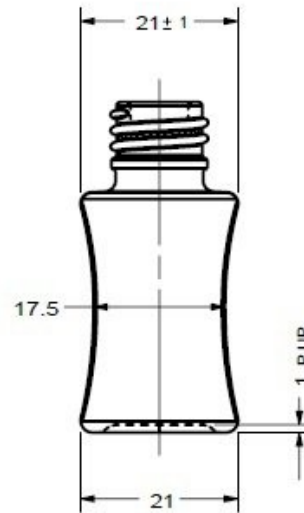
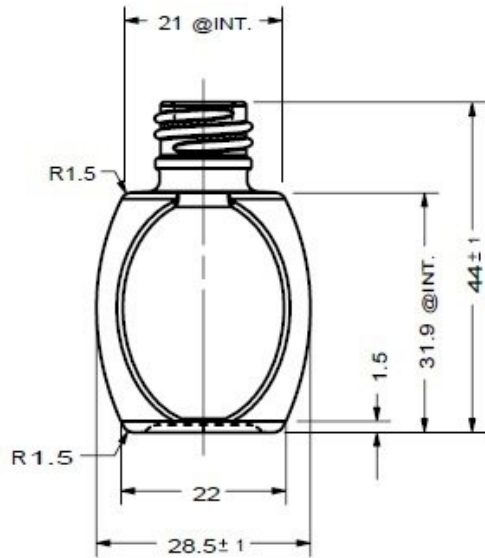


CON. DRG.



NECK FINISH DETAIL



START OF THREAD :- _____ $+0.33$
 _____ 0.87
 _____ -0.30

NO. OF. TURNS :- _____ 2.0

T. P. I. :- _____ 12

DEPRESS THD. AT SEAM

| | |
|----------------|--|
| FOR APPROVAL : | |
| CUSTOMER: | |
| SIGN: | |
| NAME: | |
| DATE: | |

| | | | | | | | | | | | |
|--------|----------------------|------|---------|--|----------|--------------------|-------------------|-------------------------|-----------------|--|------|
| | | | | WARE | | 5ml HANNAH | | | | | |
| | | | | ALL DIMS ARE IN MM DO NOT SCALE DRAWING | | SCALE: | TYPE & COLOUR | THROUGH BORE (min) | PROD. CATG.: | | |
| | | | | | | 1 : 1 | III , FLINT | ϕ 6.5 | 3FNP | | |
| | | | | DES'D BY | DATE: | OVERFLOW CAP. (ml) | FILLING CAP. (ml) | WEIGHT (g) (APPROX.) | NECK FINISH | | |
| | | | | | | 6.0 ± 0.5 | ---- | 22.2 | GCM1 13/415/405 | | |
| | | | | CHK'D BY | APP'D BY | DRG.NO.: | | | | | REV. |
| REV.NO | REVISION DESCRIPTION | DATE | REV. BY | | | | | | | | |