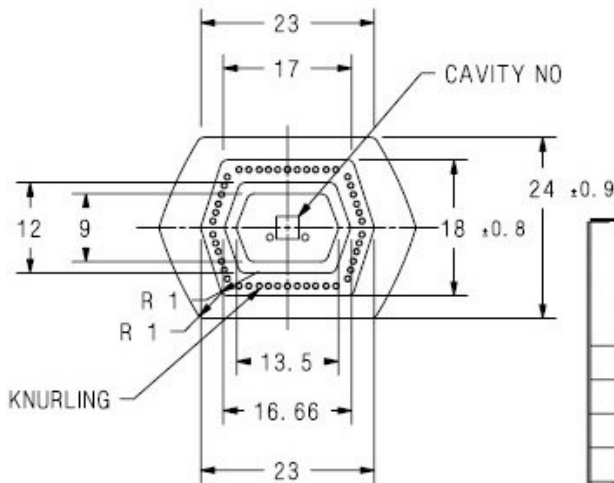
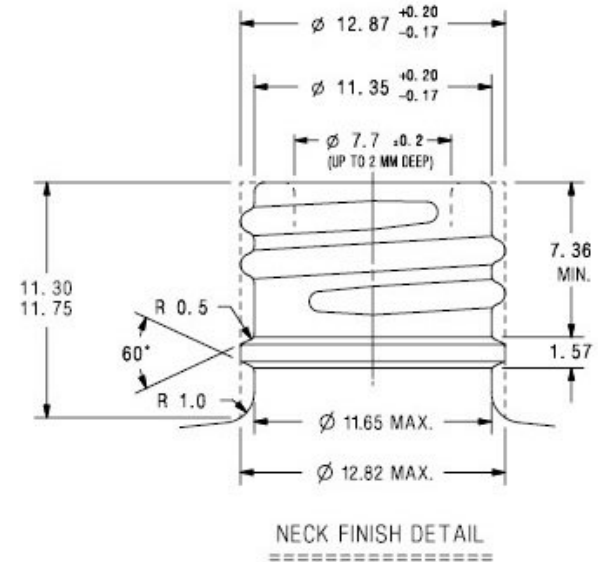
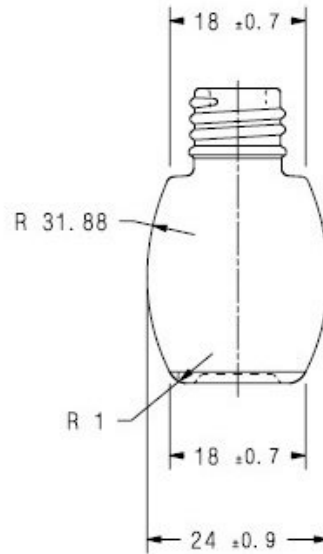
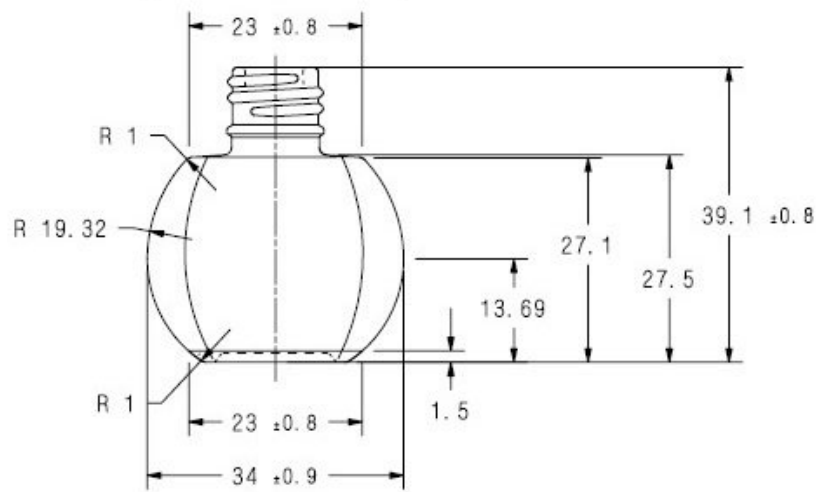
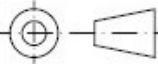


START OF THDS. -----  $0.87^{+0.33}_{-0.30}$   
 NO OF TURNS. ----- 2  
 T. P. I. ----- 12  
 DEPRESS THREAD @ SEAMS



FOR APPROVAL :  
 CUSTOMER :  
 SIGN :  
 NAME :  
 DATE :

REVISION DESCRIPTION				DATE		REV. BY		WARE 7ml HOLLY							
				CHK'D BY		APP'D BY		SCALE:	TYPE & COLOUR	THROUGH BORE (min)	PROD. CATG:				
								ALL DIMS ARE IN MM DO NOT SCALE DRAWING	1 : 1	III, FLINT	Ø 6.5	3FNP			
								DES'D BY	DATE:	OVERFLOW CAP. (ml)	FILLING CAP. (ml)	WEIGHT (g) (APPROX)	NECK FINISH		
										7.8 ± 0.6	----	21.5	GCM1 13/415/405		
								CHK'D BY	APP'D BY	DRG.NO.:			NR. REF. NO. : 1989		
												REV.	(A)		