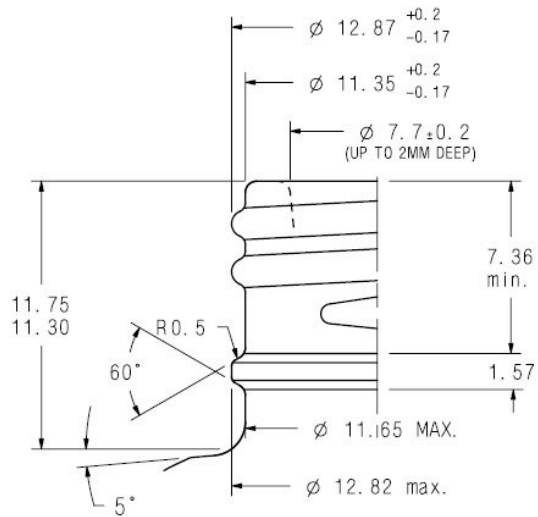
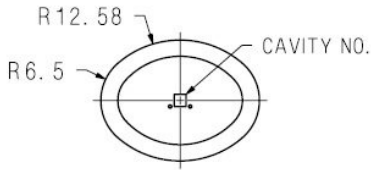
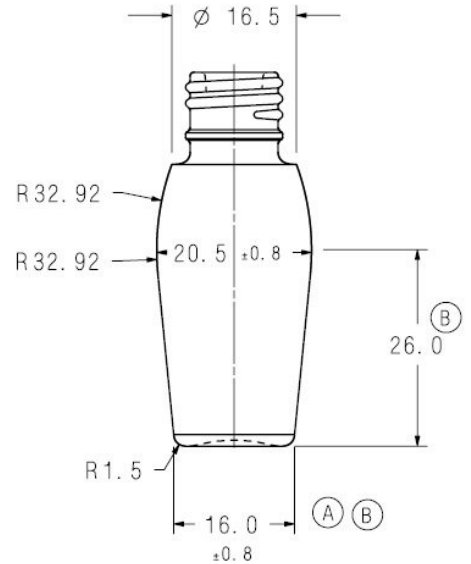
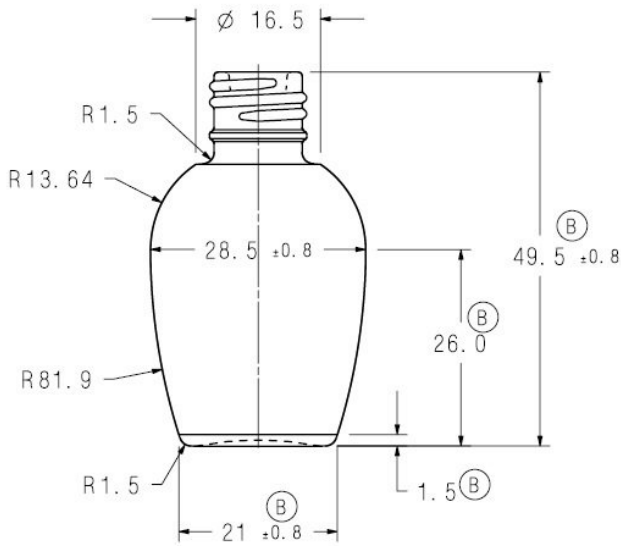


START OF THD. .... 0.87 +0.33/-0.30  
 NO. OF. TURNS. .... 2.0  
 T. P. I. .... 12  
 DEPRESS THREAD AT SEAM



FOR APPROVAL :  
 CUSTOMER :  
 SIGN :  
 NAME :  
 DATE :

				WARE	7ml LILY				
				ALL DIMS ARE IN MM DO NOT SCALE DRAWING	SCALE:	TYPE & COLOUR	THROUGH BORE (min)	PROD. CATG.:	
					1 : 1	III, FLINT	Ø 6.5	3FNP	
				DES'D BY	DATE:	OVERFLOW CAP. (ml)	FILLING CAP. (ml)	WEIGHT (g) (APPROX)	
						7.5 ± 0.7	----	(A) 19.5	
				CHK'D BY	APP'D BY	DRG.NO.:		REV. (C)	
REV.NO	REVISION DESCRIPTION	DATE	REV. BY						
C	TITLE BLOCK CHANGED & STD. MAINTAINED	15/03/12	JB						
B	WAS 19.0,14.5,51.5,28.2,KNURLING REMOVED	18.01.04	K						GCM1 13/415/405
A	CHANGED FOR DESIGN NEEDS,WAS 13.5	29.12.'03	M						